

Stands for Curtains and Strips



Top of the curtain stand for C-rail
(stand 40 x 40 mm)



Top of the strip curtain stand for pipe
(stand 40 x 40 mm)



Top of the stand
Top plate 80 x 80 mm
(stand 60 x 60 mm)



Base of the stand
Base plate 250 x 250 mm
(stand 60 x 60 mm)

Stands for Curtains and Strip Curtains

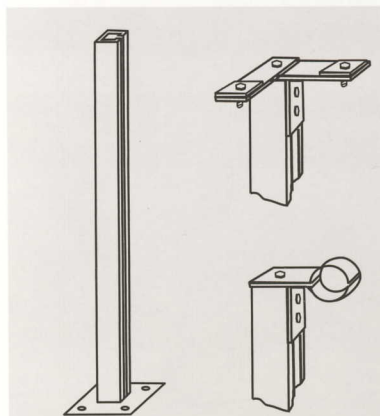
Article

Description

Weight

Article no.

Price €pc



Curtain stand
C-rail kit, 40 x 40 x 2,5 mm
H up to 2300 mm,
H up to 3000 mm
Stand cut to length, 2x2 hole flat plates and square nuts,
screws, washers and dowels included

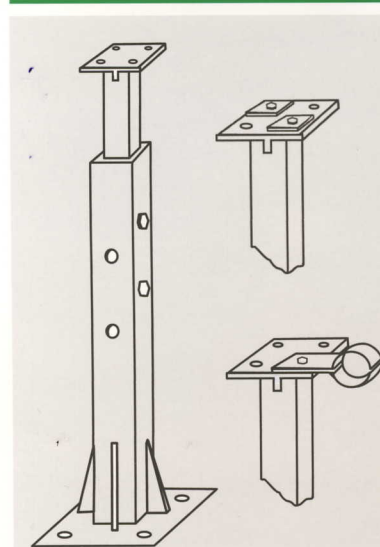
7,5 kg
10,5 kg

TTV-Z-STÄNDER-23
TTV-Z-STÄNDER-30

Strip curtain stand
C-rail kit, 40 x 40 x 2,5 mm
H up to 2300 mm
H up to 3000 mm
Stand cut to length, 2 pipe clamps,
screws, washers and dowels included

7,5 kg
10,5 kg

TTL-Z-STÄNDER-23
TTL-Z-STÄNDER-30



Curtain stand
60 x 60 x 2,5 mm
H 2000 - 2500 mm
H 2500 - 3000 mm
H 3000 - 3500 mm
Reinforced base, adjustable in increments of 100 mm,
2 square nuts included

14,0 kg
15,0 kg
16,0 kg

TTV-Z-STÄNDER-60-25
TTV-Z-STÄNDER-60-30
TTV-Z-STÄNDER-60-35

Strip curtain stand
60 x 60 x 2,5 mm
H 2000 - 2500 mm
H 2500 - 3000 mm
H 3000 - 3500 mm
Reinforced base, adjustable in increments of 100 mm,
2 pipe clamps included

14,0 kg
15,0 kg
16,0 kg

TTL-Z-STÄNDER-60-25
TTL-Z-STÄNDER-60-30
TTL-Z-STÄNDER-60-35

Custom-made stand 60 x 60 x 2,5 mm

TTZ-Z-STÄNDER-60-SONDER